

NARI 南瑞集团

NARI GROUP CORPORATION

重庆博瑞变压器有限公司

CHONGQING BO RUI TRANSFORMER CO., LTD.

地址：重庆市涪陵区李渡镇聚龙大道190号

销售热线：**023-72223982**

售后热线：**023-72230221**

网址：borui.sgepri.sgcc.com.cn 邮编：408100

Add: No 190 Julong Ave., Lidu Town, FuLing District ChongQing China

Sales Service Hotline: **023-72223982**

Sales Hotline: **023-72230221**

Website: borui.sgepri.sgcc.com.cn PC-408100

NARI 南瑞集团 (国网电科院)

NARI GROUP CORPORATION

重庆博瑞变压器有限公司

CHONGQING BO RUI TRANSFORMER CO., LTD.





努力超越 追求卓越

STRIVE TO SURPASS
PURSUE OUTSTANDING
>>>

总经理致辞 General Manager Statement

海以其博大，纳百川而成其浩瀚；玉以其质坚，历雕琢而为之祥瑞。

乘借国家电网公司创建“世界一流电网、国际一流企业”之东风，依托南瑞集团公司（国网电力科学研究院）建设“世界一流的国际化产业集团”之布局，把握南瑞集团公司业务整合、专业化运营之发展契机，集合原重庆市亚东亚集团变压器有限公司之优秀资源，我们谋划着重庆博瑞变压器有限公司跨越式发展。

大浪淘沙，出水者玉。南瑞集团公司的直属产业公司——重庆博瑞变压器有限公司，正以海之广博、玉之祥瑞的昂扬姿态，秉承“以人为本、忠诚企业、奉献社会”的企业理念，践行“诚信、和谐、创新、求精”的核心价值观，坚持“机制创新、制度创新、管理创新、技术创新”的发展方针，弘扬“努力超越、追求卓越”的企业精神，激情迈步在打造国内一流电力变压器企业的宽阔大道上。

客户的满意是我们永远的追求和动力之源；敢于创新、经验丰富、勇于超越、技艺精湛是我们的竞技实力；“铸造卓越电气，建设美好生活”是我们光荣的责任；一如既往地为广大用户提供安全节能、优质高效的产品和服务，是我们的发展方向；高起点、高标准、精益化是我们的管理风格；能打硬仗、忘我工作、敬业奉献、开拓进取是我们的员工风貌；我们是：卓越电气产品的创造者，美好现代生活的奉献者！

四十多年，一路走来，友情岁月，感恩于心。

我们永远铭记各级政府、广大客户和社会各界朋友给予的倾情呵护和鼎力支持！我们永远铭记您的关爱和期待！不断改进和提升创新、制造、服务能力，努力早日实现重庆博瑞变压器有限公司的发展愿景。

值此，我谨代表公司全体员工，向长期关心、支持和帮助我们的各级领导和广大用户，各位同仁和社会各界致以衷心的感谢！

热忱欢迎社会各界新老朋友、广大同仁与我们共同发展、携手奋进、共圆“中国梦”！



铸造卓越电气 建设美好生活
better electrical quality makes better life



Sea with its broad, become vast by taking in all the rivers; Jade with its hard, become auspicious after carving.
Referring to "World-class power grid, international first-class enterprise" of State Grid Corporation, depending on constructing "World-class international industrial group" of NARI (State Grid Electric Power Research Institute), seizing the opportunity that business integration and professional operation in NARI, gathering the valuable resources of the original AEA, we plan to the great-leap-forward development of Chongqing BORUI Transformer Co., Ltd.
When the tide of time shifts, the true hero will show. Chongqing BORUI Transformer Co., Ltd., the direct industrial company of NARI, with its core value "Honesty, Harmony, Innovation and Refinement" is passionate to the way to be the electric power transformer enterprise with the strongest ability of "Innovation, Manufacture, Service".
Our permanent purpose and source of power is the satisfaction from the customers. We have spirit of innovation, rich experience, courage to surpass and superb technology. Our responsibility is "better electrical quality makes better life". Our way to develop is offering the safe, energy-saving and high quality product and service. Our management style is high starting point, high standard and keeping improving. We are the creator of excellent electrical products, the contribute of beautiful modern life!
Now I will thank all of our customers, brother companies and the community in name of our staff.
Warmly welcome the old and new friends from all walk of society, Let's promote the common development, hand in hand to create our splendence and complete the "Chinese Dream".

03	04	06	08	12	14	18	30	32	34	36	
目录 Contents	总经理致辞 General Manager Statement	公司简介 Brief Introduction to Company	学术交流 Technology exchange	资质荣誉 Company qualifications	企业文化 Company culture	生产设备及现场 Production equipment and the site	产品介绍 Main products	亮点工程 The best-achieved projects	销售网点 Sales offices	服务承诺 Service warranty	企业愿景 Corporate Vision

公司简介

Brief Introduction to Company

重庆博瑞变压器有限公司是南瑞集团（国网电力科学研究院）全资子公司，专业从事220kV及以下电力变压器研发、生产、销售和服务的高科技企业。公司位于重庆市涪陵区李渡镇聚龙大道190号，于2012年5月25日注册成立，秉承并发展了原重庆市亚东亚集团变压器有限公司电力变压器业务主要优良资产、科研成果、经营业绩和资质，积淀40余年变压器设计制造历史。公司注册资金1亿元，规模生产电压220kV容量40万kVA及以下油浸式电力变压器及整流变、电炉变等特种变压器，具备2000万kVA年设计生产能力。

公司坚持立足西南、辐射全国、开拓海外的市场目标，已在全国20多个大中城市设立办事处，建立起覆盖全国的市场营销网络，在同行业中经营规模、产品竞争能力居西南第一位，成为国内最具竞争力的变压器制造厂家之一。

公司具备国际一流的生产、检测设备，拥有一支高层次、高素质的员工队伍，严格推行“三标一体化”管理体系，不断提升产品质量，提高履约能力。

在未来发展中，公司遵循“诚信、和谐、创新、求精”的企业宗旨，着力提升产品研发和创新改进能力，不断提升市场运作水平和经营效益，努力推动公司朝着高电压、大容量、节能环保型变压器方向发展。



公司大门
The entrance of company



Chongqing BORUI Transformer Co., Ltd. is the wholly owned subsidiary company of NARI Group (China Electric Power Research Institute). BORUI is the high-tech enterprise which is professional in research and development, manufacture, selling and service to the 220kV and below power transformers. BORUI is located in No. 190 Julong Av. Lidu Town Fuling District Chongqing China and registered on May 25, 2012. It carries forward the main superior assets, scientific achievements, business and has a deep history of transformer manufacture which is more than 40 years. With a registered capital of RMB 100 million yuan and an annual production ability of 20,000 MVA, BORUI owns the ability to conduct scale production of 220kV, 40KVA and the below oil-immersed power transformer and special transformer, such as rectifier transformer and furnace transformer.

The base of BORUI is located in the Southwest of China but the products are sold to both domestic and abroad. BORUI has established offices in over 20 major cities in China and formed marketing networks covering the whole country. Compared to other counterparts, BORUI is ranked as No.1 in the Southwest of China in terms of operation scale and competition ability. Now BORUI has become the most competitive transformer manufacture through the Southwest area.

BORUI possesses the international first-class production and testing equipment, owns a high level, high-quality staff team. BORUI strictly carries out the management system of "Three standard embraced in one system", improve the quality of productions and the performance ability.

In the future development, BORUI will follow the objective of "Honesty, Harmony, Innovation and Refinement". Focus on improving production development and innovation ability. Continuously improve the level of market operation and economic benefits. BORUI is endeavoring to develop their transformer into the high voltage, large capacity, environmental-friendly and energy-saving production.



越南客户参观考察
Vietnamese customers visit



意大利专家在现场考察
Italian experts in the field visit

学术交流

Technology Exchange



印度专家参观考察
Indian experts visited

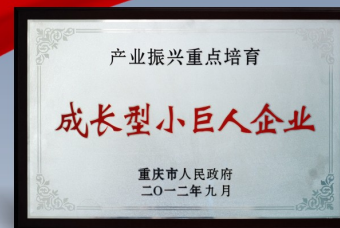


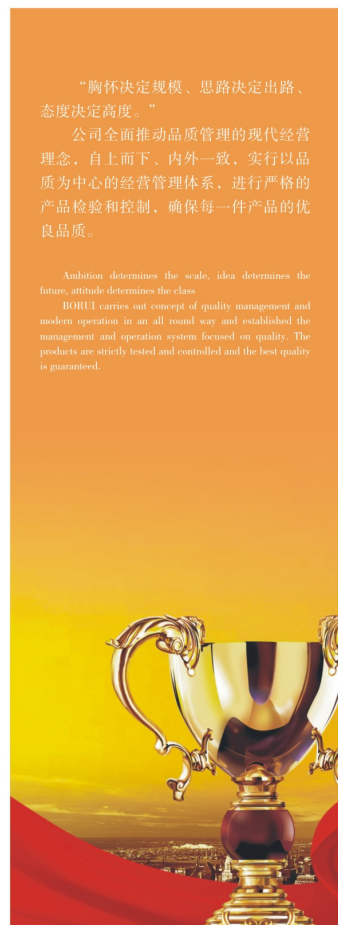
与赤道几内亚专家进行学术交流
Exchange technology with experts from
Equatorial Guinea

资质荣誉 Company Awards

如磐的日子里，艰辛漫长、负重前行，总有关爱在身边；
如歌的岁月里，光阴似箭、展翅翱翔，总有支持在身旁；
博瑞对此满怀感激……
我们把激动人心的关怀化作不断前进的源动力，
鞭策着、激励着！

Thanks for all the cares and supports came through the whole company journeys to
overcome the difficulties and challenges.
Which will be the everlasting drive engine for our future development and success!
We can do it and make better difference!





企业文化 Company Cultures



“求木之长者，必固其根本；欲流之远者，必浚其泉源。”
公司在全球竞争日趋激烈的博弈场上，最有力量负重前行，最有勇气挑战常规，最有希望变不可能为可能，并形成独具特色的企业文化，使其行之有力，步之有方。

“Depth of soil limits the height of tree, plenty of water source limits the length of river”
As one of the strongest companies competing in the everlasting brutal and fierce world market, we are enriched the strength and will to embrace the opportunity and challenge, while we could build up very characteristic company culture as well by making nothing impossible!



使命 Responsibility:

为客户创造满意产品，为员工创造发展平台，为社会创造和谐繁荣。
坚持“服务至上，顾客至上”，以优质的产品服务赢得客户的满意，关注职工利益，在实现企业盈利长期稳步增长的同时逐步提高职工的福利水平，努力为股东创造优良的投资效益，同时努力实现经济效益和社会效益的统一。

The company boasts of goals such as 1. best quality for customer, 2. more chance for staff's self-fulfillment, 3. harmonious prosperity for the society. Being driven by the principle of "service first and customer supreme", the company wins the satisfactions from customer with qualified services and products, gains support from staff by caring their interests, gets sound investment by creating even better business environment. All these efforts undoubtedly resulted in economic and social prosperity.

愿景 Prospects:

铸造卓越电气，建设美好生活。

公司以用户的期望和要求为关注焦点，弘扬“诚实、守信、创新、求精”的企业精神，努力追求更加优质的产品和不断创新的服务，打造卓越的品牌，为企业、顾客和社会创造更多的价值；公司以卓越的产品，持续满足顾客的期望和需求，竭诚为电力事业的发展兴旺，为建设美好生活和构建和谐社会作出贡献。

"Better quality of electrical product makes better life" is our ultimate goal to pursue! We do care your expectation and demand in services and products while advocating the ideas of "honesty, credit, innovation, Refinement". We never stop seeking for better quality and service, building up sound brand, adding more values for company, society and customer as well. We would like to make the best contribution to the prosperity of electrification industry and to the better life.

价值观 Understanding of values:

诚信、和谐、创新、求精

公司以诚信作为企业在市场经济中取得成功的基础，坚持在市场经济的一切活动中要遵纪守法、诚实守信、诚恳待人，以信取人；并以诚信保和谐，以公正求和谐，把企业建设成为人际关系融洽、充满友爱、精诚团结、蓬勃向上的和谐企业，提高自主和创新精神，不断致力于产品质量、服务质量的提高，追求精益求精。

Honesty, Harmony, Innovation and Refinement' is our understanding of values towards work and life. Based on the credit, abiding by all the laws and regulations, respecting all the people involved in the cooperation and company development, we fruitfully achieved the business success in market and harmonious relationship, in city. In return all those success made the company a very dynamic and promising team who pursue improvement and refinement.



生产设备及现场

Production equipment and the site

“工欲善其事，必先利其器。”

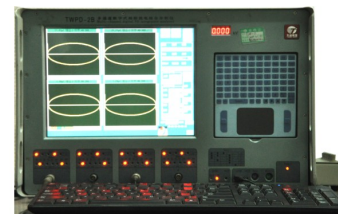
公司在不断发展壮大的同时，也不断引进国内外先进的生产技术和生产设备。迄今为止，公司共拥有从美国、德国、日本等国家和地区引进具有当代先进水平的剪切线、起重机、绕线机、干燥设备等关键设备200多台套。

Good preparation is beneficial to achievements.

While persisting in the principles of self achievement, BORUI also emphasize the introduction of advanced technology and production equipment. Thus far BORUI has owned more than 200 key equipments from the USA, Japan and the European nations. Such as rails crane, horizontal winding machine, drying oven and so on.



德国TBAMEEL800 × 5000乔格变压器铁心片横剪生产线
Germany TBAMEEL800 × 5000 lamination cut-to-length line from George company in Germany



多通道数字式局部放电测试仪
Multi-channel digital partial discharge tester/Multi-channel digital partial discharge tester



日本横河WT-3000功率分析仪
Yokogawa WT-3000 power analyzer



2台160吨双梁起重机
2 sets of 160 Ts double rails crane



400kW煤油汽相干燥设备
400KW kerosine vapour phase drying oven



— 大型产品试验站（全屏蔽）
All shielded laboratory for large transformer



铁芯制作设备
Core production equipment



绝缘件生产线
Insulation production line

在如今竞争激烈的市场中，高效、优质是企业成功的基石。公司将6S管理作为现场管理的有效工具，进一步规范生产现场，营造高效、舒适、有序的生产环境，促进生产现场的规范化、具体化和制度化。

Confronting the fierce market competition, high efficiency and pragmatically are key cornerstones to company success. BORUI make good use of the 6S management system as the way to regulate site order and environment of production for making production more standardized and regulated.



大型卧绕机
Large horizontal winding machine



HQCS5000 x 14000FP(E)数控火焰等离子切割机
Digital-controlled plasma flame cutting machine



产品介绍 Major Products

公司在产品生产过程中，高度重视产品质量，始终坚持“铸造卓越电气，建设美好生活”的质量方针，严格执行GB/T19001质量体系并从源头做起，认真选用原材料及外部组件，严格控制配套厂家进货质量，同时抓好生产过程中各个环节的制造质量。

根据公司发展规划，公司将集中技术力量，树立精品意识，做强变压器这一产品，全面提升公司设计制造水平，推动公司朝着高电压、大容量变压器的设计制造、特种变压器的设计制造、高技术含量的节能型、环保型变压器设计制造方向发展。



意大利沃特极动力有限公司产品：S11-45000/220
Italy Water-pole Power Co., Ltd.: S11-45000/220

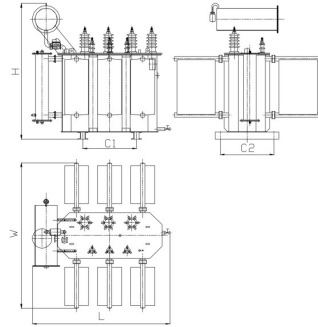
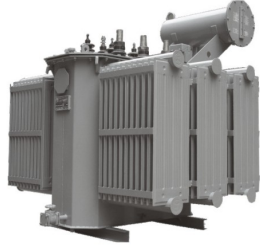
During the production, BORUI always pays great attention to the quality and adhere to the principle of "Better Quality, Better Life". BORUI also strictly implements the quality system GB/T19001, carefully selects materials, accessories and their manufactures. The production quality in the each link in production is simultaneously strictly controlled.

According to the development plan, BORUI will concentrate all the technical strength, establish famous brand concept, promote the designing ability in an all round way to produce the best power transformer and drive the company to the path of developing transformers of high voltage, large capacity, special type, high tech, energy saving and environmental protection.

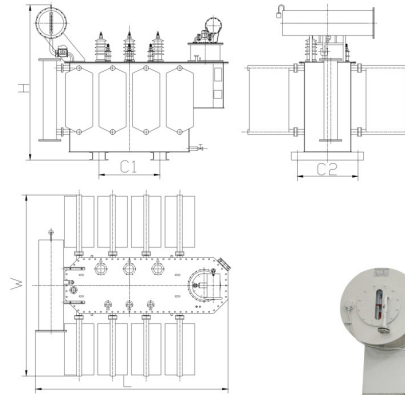
机电工业上海联销有限公司龙桥热电：SFP11-370000/220
Shanghai Mechanical and Electrical Industry Lianxiao's company
Dragon Bridge thermoelectric: SFP11-370000/220

35kV级11型三相双绕组无励磁调压
变压器技术数据

Specification of 35kV, type 11,
three phase, two winding,
off circuit tap changing transformer



型号 Type	额定容量 Rated Capacity (kVA)	电压组合 (kV/kV) Voltage combination		联结组 标号 Intercon- nection Ladle)	损耗(kW) Losses		空载 电流 No-load current (%)	短路 阻抗 UK (%)	参考重量(kg) Weight			参考尺寸 (mm) 长×宽×高		基础安装 poge (mm)
		高压 HV	低压 LV		空载 No-load	负载 Load			器身重 Active Parts	油重 Oil	总重 Gross	L×W×H	长×宽 C1×C2	
S11	50	35±5%	0.4	D yn11 Y yn0	0.17	1.21/1.15	2	6.5	230	210	680	1110×895×1735	550×550	
	100								345	240	850	1170×1010×1855	550×550	
	125								470	300	1170	1210×1050×1935	550×550	
	160								570	460	1350	1235×1170×2090	550×550	
	200								680	515	1530	1285×1180×2060	550×550	
	250								795	560	1755	1365×1190×2120	660×660	
	315								915	630	1995	1755×1200×2205	660×660	
	400								1080	660	2240	1890×1210×2240	660×660	
	500								1260	780	2870	1940×1240×2420	660×660	
	630								1405	850	2895	1960×1300×2470	820×820	
	800								1865	1085	3805	2530×1370×2650	820×820	
	1000								2045	1110	4190	2560×1400×2650	820×820	
	1250								2180	1220	4870	2705×1420×2805	820×820	
	1600								2180	1325	5550	2715×1600×2915	820×820	
SF11	2000	35/38.5 ±5%	3.15 6.3 10.5	Y d11	2.18	18.4	0.7	7.5	3060	1460	6015	2785×2000×3090	820×820	
	2500								3585	1555	6730	2835×2660×3105	820×820	
	3150								4255	1910	8310	2860×2925×3095	1070×1070	
	4000								5060	2215	9895	3635×2950×3175	1070×1070	
	5000								5780	2370	10950	3800×2980×3175	1070×1070	
	6300								7425	2700	13100	3850×2990×3285	1070×1070	
	8000								9625	3140	15710	4100×3050×3680	1435×1435	
	10000								11140	3340	17050	4500×2900×3400	1435×1435	
	12500								13080	3540	20540	4600×3500×3900	1435×1435	
	16000								16180	4460	24920	4660×3500×4010	1435×1435	
SF11	20000	35/38.5 ±2×2.5%	3.15 3.3 6.6 10.5 11	Y d11	14.4	79.5	0.4	8	19650	5870	31000	4710×3815×4110	1435×1435	
	25000								24750	6500	38500	4800×3920×4510	1435×1435	
	31500								28100	8250	40800	5300×4200×4750	1435×1435	

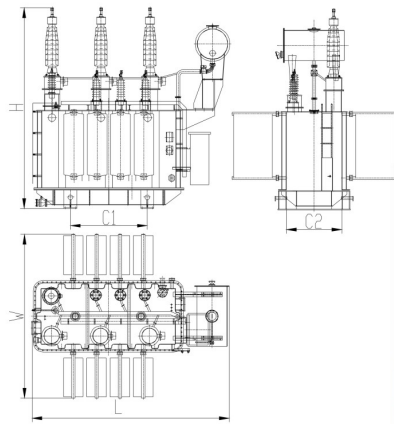


35kV级11型三相双绕组有载调压电力
变压器技术数据

Specification of 35kV, type 11,
three phase, two winding,
on load tap changing power transformer



型号 Type	额定容量 Rated Capacity (kVA)	电压组合 (kV/kV) Voltage combination		联结组 标号 Intercon- nection Ladle)	损耗(kW) Losses		空载 电流 No-load current (%)	短路 阻抗 UK (%)	参考重量(kg) Weight			参考尺寸 (mm) 长×宽×高		基础安装 poge (mm)							
		高压 HV	低压 LV		空载 No-load	负载 Load			器身重 Active Parts	油重 Oil	总重 Gross	L×W×H	长×宽 C1×C2								
SZ11	2000	35 ±3×2.5%	6.3 10.5	Y d11	2.3	19.2	0.8	6.5	3390	1680	6290	2780×1590×2950	1070×1070								
	2500								4100	1900	8050	3150×1730×3125	1070×1070								
	3150								3.23	24.7	0.72	4310	2780	9670	3990×2930×3250	1070×1070					
	4000								3.87	29.2	0.72	5200	2800	11000	4020×3490×3300	1070×1070					
	5000								4.64	34.2	0.68	5760	3150	12500	4215×3145×3400	1070×1070					
SFZ11	6300	35/38.5 ±3×2.5%	6.3 10.5	Y d11	5.63	36.8	0.68	7.5	7520	3375	14090	4300×3165×3480	1435×1435								
	8000								7.9	40.6	0.6	9010	3450	15940	4400×3185×3675	1435×1435					
	10000								9.3	48.1	0.6	10900	4100	19000	4570×3320×3750	1435×1435					
	12500								10.9	56.9	0.56	12200	4950	21400	4570×3885×3655	1435×1435					
	16000								13.2	70.3	0.54	14760	5200	24700	4490×3515×3800	1435×1435					
	SFZ11								20000	35/38.5 ±3×2.5%	6.3 6.6 10.5 11	Y d11 YN d11	15.7	82.8	0.54	8.0	18000	7000	32000	4385×4470×3600	1435×1435



**110kV级11型三相双绕组无励磁调压电力
变压器技术数据**

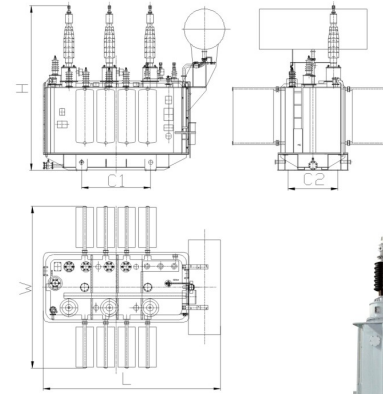
Specification of 110kV, type 11,
three phase, two winding,
off circuit tap changing power transformer



额定容量 Rated Capacity (kVA)	电压组合 Voltage combination (kV/kV)		联结组 标号 Intercon- nection Label	损耗(kW) Losses		空载 电流 No-load current (%)	短路 阻抗 UK (%)	参考重量(t) Weight			参考尺寸 (mm) 长×宽×高		基础安装 gage (mm) 长×宽 C1×C2
	高压 HV	低压 LV		空载 No-load	负载 Load			器身重 Frame Parts	油重 Oil	总重 Gross	L×W×H		
											长	宽	
6300	110 121 ±2.5%	6.3 10.5 11	YN d11	7.2	34.2	0.3	10.5	9.1	5.1	19.2	3420×3550×3920		1475×1475/ 1435×1435
8000				8.8	42.7	0.3		10.6	6.0	20.5	3530×3720×4100		
10000				9.8	50.3	0.3		11.3	6.1	22.5	4450×3980×4125		
12500				11.8	59.8	0.3		13.5	6.7	26.5	4500×4030×495		
16000				14.3	73.1	0.25		17.1	8.6	29.7	4665×3910×4800		
20000				15.1	88.3	0.25		21.4	9.8	36.0	4730×4100×5050		
25000				18.5	104.5	0.2		22.5	10.2	37.5	4670×4200×5100		2040×1475/ 2000×1435
31500				21.9	126.3	0.2		25.0	10.5	41.5	4790×4310×5170		
40000				25.6	148.2	0.15		29.0	11.0	46.0	4680×4410×5210		
50000				28.2	184.3	0.15		35.4	12.7	53.0	4850×4600×5180		
63000				36.0	222.3	0.15		42.5	13.5	67.0	5200×4830×5300		

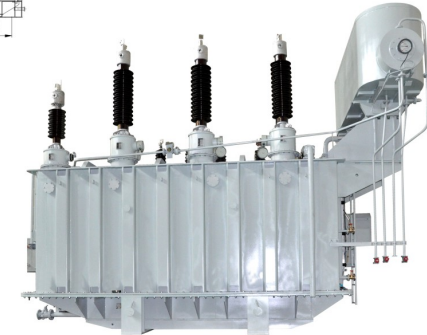
注：1、产品重量和外型尺寸仅供参考,可根据客户需要供特殊基础安装尺寸。
2、根据客户需要低压可提供35kV产品。

Note: 1. The weight and dimension are only for reference, and special rail distance can be arranged according to users' requirement.
2. The LV can be designed as 35kV according to the users' requirement.



**110kV级11型三相三绕组无励磁调压电力
变压器技术数据**

Specification of 110kV, type 11,
three phase, three winding,
off circuit tap changing power transformer



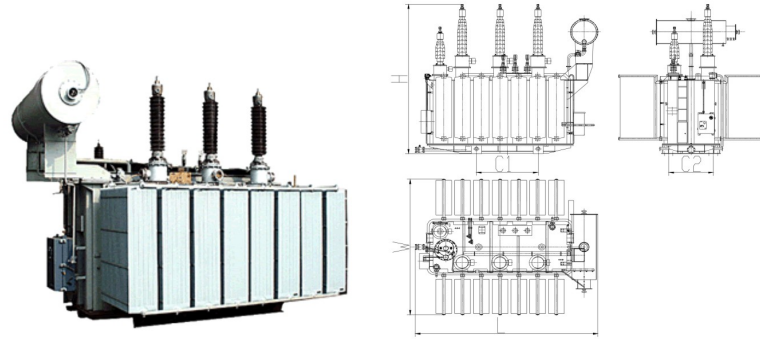
额定容量 Rated Capacity (kVA)	电压组合 Voltage combination (kV/kV/kV)			容量比 (%) Volume	联结组 标号 Intercon- nection Label	损耗(kW) Losses		空载 电流 No-load current (%)	短路阻抗 UK(%)		参考重量(t) Weight			参考尺寸 (mm) 长×宽×高		基础安装 gage (mm) 长×宽 C1×C2
	高压 HV	中压 MV	低压 LV			空载 No-load	负载 Load		升压 Step-up	降压 Step-down	器身重 Frame Parts	油重 Oil	总重 Gross	L×W×H		
														长	宽	
6300	110 121 ±2.5%	35 38.5	6.3 6.6 10.5 11	100/100 /100	YN yn0 d11	9.8	44.6	0.3	高-中 H-M 17-18	高-中 H-M 10.5	10.2	7.2	23.5	3610×3870×3710		1475×1475/ 1435×1435
8000						10.7	53.2	0.3			12.4	8.4	26.4	3700×3950×3800		
10000						12.8	62.7	0.3			15.1	9.5	31.5	3790×4070×3950		
12500						14.6	74.1	0.3			17.0	10.1	35.0	3880×4130×4100		
16000						16.1	90.2	0.25			19.2	10.8	37.5	4020×4180×4100		
20000						18.6	106.4	0.25			21.8	11.2	38.0	4150×4360×4170		
25000						20.8	126.3	0.2			23.2	11.5	44.0	4460×4490×4280		2040×1475/ 2000×1435
31500						24.5	149.2	0.2			27.7	12.1	51.0	4870×4600×4500		
40000						28.6	179.5	0.15			34.3	14.2	62.0	5210×4800×4850		
50000						35.6	213.7	0.15			40.8	15.3	69.5	5460×5210×5100		
63000						39.5	256.5	0.15			56.9	17.0	84.0	5930×5400×5720		

注：1、产品重量和外形尺寸仅供参考,可根据客户需要供特殊的基础安装尺寸。
2、根据客户需要,中压可选用不同于表中的中压值或设分接头。

Note: 1. The weight and dimension are only for reference, and special rail distance can be arranged according to users' requirement.
2. Different medium voltage value or tapping position can be adopted according to the users' requirement.

**110kV级11型三相双绕组有载调压电力
变压器技术参数**

Specification of 110kV, type 11,
three phase, two winding,
on load tap changing power transformer



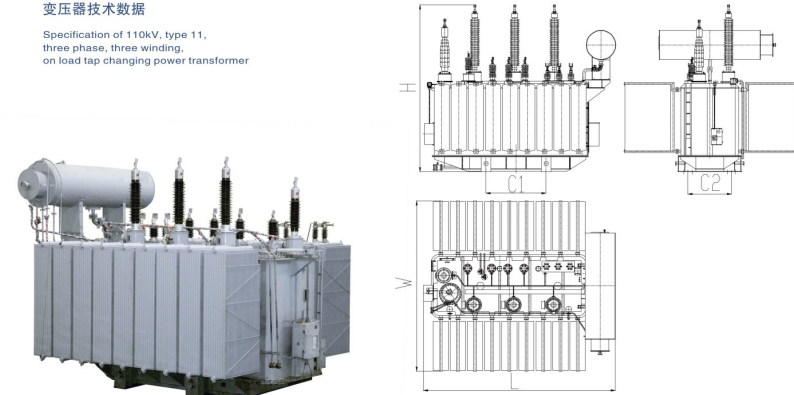
额定容量 Rated Capacity (kVA)	电压组合 (kV/kV)		联结组 标号 Intercon- nection Ladel	损耗(kW) Losses		空载 电流 No-load current (%)	短路 阻抗 UK (%)	参考重量(t) Weight			参考尺寸 (mm) 长×宽×高		基础安装 gage (mm)
	高压 HV	低压 LV		空载 No-load	负载 Load			器身重 Active Parts	油重 Oil	总重 Gross	L × W × H	长 × 宽 C1 × C2	
6300	110 ± 8 × 1.25%	6.3 6.6 10.5 11	YN d11	8.0	34.2	0.3	10.5	9.7	5.8	22.5	4420 × 3350 × 3700		1475 × 1475/ 1435 × 1435
8000				9.5	42.7	0.3		11.1	6.3	24.0	4450 × 3630 × 3900		
10000				11.0	50.3	0.25		12.5	7.0	25.7	4540 × 3720 × 4020		
12500				12.5	59.8	0.25		14.1	8.4	29.6	4650 × 3780 × 4100		
16000				15.0	73.1	0.2		15.6	10.5	32.5	4720 × 3980 × 4200		
20000				17.5	88.3	0.2		18.3	10.9	38.0	4860 × 4110 × 4300		
25000				20.0	104.5	0.2		25.8	11.7	49.5	5040 × 4200 × 4400		
31500				23.0	126.3	0.2		28.1	13.9	51.0	5230 × 4330 × 4600		
40000				28.0	148.2	0.15		31.8	14.2	60.0	5570 × 4550 × 4950		
50000				31.0	184.3	0.15		36.4	15.7	65.0	5920 × 4730 × 5200		
63000				37.0	222.3	0.15		46.0	18.2	74.0	6300 × 4950 × 5600		

注：1、产品重量和外形尺寸仅供参考，可根据客户需要提供特殊的基础安装尺寸。
2、根据客户需要，低压可提供35kV产品。

Note: 1. The weight and dimension are only for reference, and special rail distance can be arranged according to users' requirement.
2. The LV can be designed as 35kV according to the users' requirement.

**110kV级11型三相三绕组有载调压电力
变压器技术参数**

Specification of 110kV, type 11,
three phase, three winding,
on load tap changing power transformer



额定容量 Rated Capacity (kVA)	电压组合 (kV/kV/kV)			容量比 (%) Volume	联结组 标号 Intercon- nection Ladel	损耗(kW) Losses		空载 电流 No-load current (%)	短路 阻抗 UK (%)	参考重量(t) Weight			参考尺寸 (mm) 长×宽×高		基础安装 gage (mm)	
	高压 HV	中压 MV	低压 LV			空载 No-load	负载 Load			器身重 Active Parts	油重 Oil	总重 Gross	L × W × H	长 × 宽 C1 × C2		
6300	110 ± 8 × 1.25%	35 37 38.5	6.3 6.6 10.5 11	100/100 /100	YNyn0 d11	8.8	44.6	0.3	10.5	高-中 H-M 10.5 高-低 H-L 17.5-18.5 中-低 M-L 6.5	11.2	8.5	28.0	5030 × 3290 × 4080		1475 × 1475/ 1435 × 1435
8000						11.0	53.2	0.3			13.5	10.2	30.4	4900 × 4120 × 3810		
10000						13.0	62.7	0.3			14.9	10.5	32.6	5020 × 4190 × 3930		
12500						15.0	74.1	0.3			15.9	11.6	35.0	5100 × 4350 × 4000		
16000						17.5	90.2	0.2			19.4	14.5	42.7	5220 × 4400 × 4150		
20000						20.0	106.4	0.2			22.5	14.8	47.0	5350 × 4570 × 4200		
25000						23.0	126.3	0.2			26.1	16.3	54.0	5650 × 4710 × 4330		
31500						27.0	149.2	0.2			31.5	17.1	59.5	6100 × 4860 × 4570		
40000						30.0	179.5	0.15			39.7	18.5	72.5	6410 × 5090 × 4890		
50000						35.0	213.5	0.15			44.8	20.9	82.5	6780 × 5370 × 5200		
63000						43.0	256.5	0.15			47.9	22.1	93.0	7100 × 5730 × 5700		

注：1、产品重量和外形尺寸仅供参考，可根据客户需要提供特殊的基础安装尺寸。
2、根据客户需要，中压可选用不同于表中的中压值或设计接头。

Note: 1. The weight and dimension are only for reference, and special rail distance can be arranged according to users' requirement.
2. Different medium voltage value or tapping position can be adopted according to the users' requirement.

220kV 电力变压器系列

220kV power transformers



220kV 级三相双绕组无励磁调压电力变压器技术数据

Specification of 220kV, three phase, two winding, off circuit tap changing power transformer

额定容量 Rated Capacity(kVA)	电压组合 Voltage combination(kV/kV)		联结组标号 Intercon-nection Lode1	损耗 Losses (kW)		空载电流 No-load current (%)	短路阻抗 UK(%)	
	高压 HV	低压 LV		空载 No-load	负载 load			
31500	220 ± 2 × 2.5%	6.3	YNd11	26.2	128.2	0.35	12-14	
40000		6.6		30.6	149.2	0.35		
50000		10.5		36.6	179.5	0.32		
63000		11		43.5	209.0	0.32		
75000		10.5 11 13.8		50.2	237.5	0.3		
90000				57.6	273.6	0.28		
120000				70.5	327.7	0.28		
150000				84.0	384.7	0.25		
160000		242 ± 2 × 2.5%		11	87.6	403.7		0.25
180000				13.8	96.0	436.0		0.23
240000	15.75		120.0	538.6	0.21			
300000	18		141.6	641.2	0.19			
360000	20		162.6	735.3	0.19			

注：根据客户要求可以制造特殊性能参数的变压器。

Note: Transformers with special technical performance can be designed according to the users' requirement.

220kV 级三相双绕组有载调压电力变压器技术数据

Specification of 220kV, three phase, two winding, on load tap changing power transformer

额定容量 Rated Capacity(kVA)	电压组合 Voltage combination(kV/kV)		联结组标号 Intercon-nection Lode1	损耗 Losses (kW)		空载电流 No-load current (%)	短路阻抗 UK(%)
	高压 HV	低压 LV		空载 No-load	负载 load		
31500	220 ± 8 × 1.25%	6.3	YNd11	28.5	128.2	0.35	12-14
40000		6.6		33.6	149.1	0.32	
50000		10.5		40.5	179.5	0.28	
63000		11		47.2	209.0	0.28	
90000		37		60.0	273.6	0.25	
120000		38.5		74.2	328.7	0.25	
150000		10.5 11 35 37 38.5		87.0	384.7	0.21	
180000				101.2	444.6	0.21	
120000				76.5	337.2	0.25	
150000				90.0	394.2	0.21	
180000	66	105.0	451.2	0.21			
	69						

注：根据客户要求可以制造特殊性能参数的变压器。

Note: Transformers with special technical performance can be designed according to the users' requirement.

220kV级三相三绕组无励磁调压电力变压器技术数据

Specification of 220kV, three phase, three winding, off circuit tap changing power transformer

额定容量 Rated Capacity(kVA)	电压组合 Voltage combination (kV/kV/kV)			联结组 标号 Intercon- nection Lode1	损耗 Losses (kW)		空载电流 No-load current (%)	短路阻抗 UK (%)			
	高压 HV	中压 MV	低压 LV		空载 No-load	负载 Load		升压 Step-up	降压 Step-down		
31500	220 ± 2 × 2.5%	69 115 121	6.3	YN yno d11	33.0	154.0	0.35	高-中 H-M 22-24	高-中 H-M 12-14		
40000			6.6 10.5		39.0	179.5	0.32				
50000			11 35		45.0	213.8	0.28				
63000			37 38.5		52.5	248.0	0.28				
90000			10.5 11		69.0	333.5	0.25			高-低 H-L 12-14	高-低 H-L 22-24
120000			13.8 35		86.2	410.4	0.25				
150000			37 38.5		101.2	487.4	0.21				
180000			11		117.0	555.8	0.21			中-低 M-L 7-9	中-低 M-L 7-9
240000			13.8 15.75		144.7	684.0	0.18				
300000			35 37 38.5		170.2	807.5	0.15				

注：1、表中负载损耗的容量分配为(100/100/100)%。升压结构的容量分配可为(100/50/100)%；降压结构的容量分配可为(100/100/50)%或(100/50/100)%。
2、根据客户要求可以制造特殊性能参数的变压器。

Note: 1. The capacity proportion of load loss is (100/100/100)%. The capacity proportion of step-up type can be (100/50/100)%. The capacity proportion of step-down type can be (100/100/50)% or (100/50/100)%.
2. Transformers of special technical performance can be designed according to the users' requirement.

220kV级三相三绕组有载调压电力变压器技术数据

Specification of 220kV, three phase, three winding, on load tap changing power transformer

额定容量 Rated Capacity(kVA)	电压组合 Voltage combination (kV/kV/kV)			容量分配 Volume	联结组 标号 Intercon- nection Lode1	损耗 Losses (kW)		空载电流 No-load current (%)	短路阻抗 UK (%)	
	高压 HV	中压 MV	低压 LV			空载 No-load	负载 Load			
31500	220 ± 8 × 1.25%	69 115 121	6.3 6.6	100/100/100 100/50/100 100/100/50	YN yno d11	33.0	154.0	0.39	高-中 H-M 12-14	
40000			10.5 11			39.0	179.5	0.35		
50000			35 37			45.0	213.8	0.32		
63000			37 38.5			52.5	248.0	0.32		
90000			10.5 11			69.0	333.5	0.28		高-低 H-L 22-24
120000			13.8 35			86.2	410.4	0.28		
150000			37 38.5			101.2	487.4	0.25		
180000			11			117.0	598.5	0.25		中-低 M-L 7-9
240000			13.8 15.75			144.7	741.0	0.23		

注：1、表中负载损耗的容量分配为(100/100/100)%。
2、表中所列数据适用于降压结构的产品，根据需要也可提供升压结构的产品。
3、根据客户要求可以制造特殊性能参数的变压器。

Note: 1. The capacity proportion of load loss is (100/100/100)%.
2. The data in this form is applicable to step-down type, while step-up type can be provided according to the requirement.
3. Transformers of special technical performance can be designed according to the users' requirement.

220kV级三相三绕组无励磁调压自耦电力变压器技术数据

Specification of 220kV, three phase, three winding, off circuit tap changing, auto power transformer

额定容量 Rated Capacity (kVA)	电压组合 Voltage combination (kV/kV/kV)			联结组 标号 Intercon- nection Lode1	升压组合 Step-up			降压组合 Step-up			短路阻抗 UK (%)			
	高压 HV	中压 MV	低压 LV		空载 No-load	负载 Load	空载电流 No-load current(%)	空载 No-load	负载 Load	空载电流 No-load current(%)	升压 Step-up	降压 Step-up		
31500	220 ± 2 × 2.5%	115 121	6.6	YN do d11	20.0	111.2	0.29	17.6	94	0.25	高-中 H-M 12-14	高-中 H-M 8-10		
40000			10.5 11		23.2	136.8	0.29	20.8	115	0.25				
50000			35 37		27.2	161.5	0.25	24	136.8	0.22				
63000			37 38.5		32.0	191.0	0.25	28.8	162.4	0.22				
90000			10.5 11		40.0	262.2	0.22	36.8	222.3	0.18			高-低 H-L 8-12	高-低 H-L 28-34
120000			13.8 18		49.6	323.0	0.22	44.8	273.6	0.18				
150000			15.75 18		58.4	384.8	0.18	52.8	324.9	0.17				
180000			35 37 38.5		67.2	439.8	0.18	60.8	367.7	0.17			中-低 M-L 14-18	中-低 M-L 18-24
240000					79.2	565.2	0.17	71.2	478.8	0.15				

注：1、升压结构的容量分配为(100/50/100)%；降压结构的容量分配为(100/100/50)%或(100/100/100)%。
2、根据客户要求可以制造特殊性能参数的变压器。

Note: 1. The capacity proportion of step-up type can be (100/50/100)%. The capacity proportion of step-down type can be (100/100/50)% or (100/100/100)%.
2. Transformers of special technical performance can be designed according to the users' requirement.

220kV级三相三绕组有载调压自耦电力变压器技术数据

Specification of 220kV, three phase, three winding, on load tap changing, auto power transformer

额定容量 Rated Capacity(kVA)	电压组合 Voltage combination (kV/kV/kV)			容量分配 Volume	联结组 标号 Intercon- nection Lode1	损耗 Losses (kW)		空载电流 No-load current (%)	短路阻抗 UK (%)	
	高压 HV	中压 MV	低压 LV			空载 No-load	负载 Load			
31500	220 ± 8 × 1.25%	115 121	6.3 6.6	100/100/50	YN do d11	20.0	102.6	0.28	高-中 H-M 8-10	
40000			10.5 11			24.0	125.4	0.28		
50000			35 37			28.8	149.2	0.25		
63000			37 38.5			33.6	179.5	0.25		
90000			10.5 11			40.8	234.6	0.21		高-低 H-L 28-34
120000			13.8 35			51.2	292.6	0.21		
150000			37 38.5			60.8	346.8	0.18		
180000			11			6.08	398.0	0.18		中-低 M-L 18-24
240000			13.8 15.75			83.2	513.0	0.16		

注：1、表中所列数据适用于降压结构的产品。
2、根据客户要求可以制造特殊性能参数的变压器。

Note: 1. The data in this form is applicable to step-down transformers.
2. Transformers of special technical performance can be designed according to the users' requirement.

亮点工程 · The best-achieved projects

胸有鸿鹄之志，方可一举万里。正是在这种宏伟方针的指引下，博瑞积极开拓、不断进取，并充分利用现代科技信息网络及时把握市场信息，从未停止前进的步伐。时至今日，经历过几多风雨洗礼的变压器行业，博瑞在执着和创新中一路稳步前行，在核电、冶炼、燃气等相关领域取得了诸多的辉煌成就。

Adhering to this grand principle of "where There is a will, there is a way", BORUI passionately explores market and makes progress keeping pace with the development of modern information technology, get to know the market tendency and forecast. Although the power transformer industry faces a very difficult situation, BORUI went through all barriers till made many significant achievements in nuclear power generation, refinery, gas and oil drilling.



序号	用户或项目名称	型号
1	意大利沃特极动力公司	SSP11-45000/245
		S11-45000/220
		SS11-40000/132
		SZ11-16000/15.6
2	重庆涪陵龙桥热电联产项目	SFP11-370000/220
		SFSZ11-240000/220
3	重庆清溪220kV变电站工程	SSZ11-240000/220
4	山西太原汾东云计算	SSZ11-180000/220
5	四川广元朝天220kV站	SSZ11-180000/220(高阻抗)
6	新疆乌苏220千伏输电变电工程	SFSZ11-180000/220
7	云南个旧南翔公司	SFSZ11-H-180000/220
8	达风220kV升压站扩容扩建工程	SFSZ9-150000/220
9	新疆宁远220kV变电所扩容扩建工程	OSFSZ9-120000/220
10	220kV三峡全通变电站工程	SZ11-120000/220
11	遵义电解铝工程	SFZ10-40000/220
12	老挝Pakeng变电站赛德2水电站项目	SFSZ9-100000/220
		D9-16000/123
		SFSZ10-120000/220
13	重钢环保搬迁工程	SFZ10-63000/110
		SFZ10-63000/110
		SFSZ10-63000/110

序号	用户或项目名称	型号
14	伊犁川宁生物	SSZ11-90000/220
		SFP11-170000/110
		SFP11-80000/110
		SFZ10-25000/110
15	印尼廖内省燃煤火力发电厂	SFPZ11-125000/170
16	印尼苏拉威西燃煤电厂项目	SF10-63000/150
17	越南北方电力公司	SFZ11-63000/115
18	越南河内电力公司	SFSZ11-63000/115
19	重庆西水西酬水电站	SF10-80000/110
20	南水北调东线一期工程长沟泵站	S10-10000/110
21	四川攀钢西昌钒钛项目	SF11-20000/110
22	赤道几内亚吉布洛水电项目	SZ10-40000/110
23	南京南钢产业发展有限公司综合利用煤气发电工程	SF10-75000/110
24	柳州融水柳化化工项目	SFZ11-75000/110
25	重庆赛家湾水电开发有限公司	SF9-40000/35
26	国家能源大型风电并网系统研究实验中心	S11-1000 ~ 3350/35
27	四川华电珙县电厂二期2*600mw工程	SF9-27000/22
28	中水柬埔寨甘再PH2水电站	S10-5000/22
		S10-8000/22



销售网络 Sales network

公司坚持立足西南，辐射全国、开拓海外市场目标及“3322”的市场战略。迄今，公司已在全国20多个大中城市设立办事处，建立起覆盖全国的市场营销网络，在同行业中经营规模、盈利能力、产品竞争能力居西南第一位，成为全国最具竞争力的国内变压器制造厂家之一。

The base of BORUI is located in the Southwest of China but the products are sold to both domestic and abroad. With its '3322' market strategy, BORUI has established offices in over 20 major cities in China and formed marketing networks covering the whole county. Compared to other counterparts, BORUI is ranked as No. 1 in the Southwest of China in terms of operation scale, profitability and competition ability. Now BORUI has become one of the most competitive transformer manufacturers in China.



销售联系方式 STORES CONTACT

电话/Tel 023-72223982 传真/Fax 023-72250631
邮箱/E-Mail yingguanbu@sgepri.sgcc.com.cn

服务承诺

Service commitment

我公司将严格按照ISO9001质量管理体系的要求，为用户提供优质高效的服务。

我公司严格按照国家相关标准和技术协议的要求精心制作和检测，并提供使用说明书，合格证和检测报告及必要的安装用图；产品运到安装现场后，将派专业技术人员进行指导安装和提供技术咨询。我公司对产品提供终身服务，并可协助用户对产品进行维护和检修。

接到服务需求的信息后4小时内给予回复；如需现场服务，重庆市内24小时到达，国内其它地方48小时内到达。

赢得用户满意是我们服务的目标；快速、准确、周到是我们努力的方向；客户的满意就是我们的骄傲。我们诚邀用户亲临公司进行考察和对产品进行监造。

欢迎国内外客户提供宝贵意见和建议，以便我们更好的进行持续改进和提高，让我们携起手来，共创辉煌。



售后热线

SaleService Hotline :

电话/Tel 023-72230221

传真/Fax 023-72108106



We offer highly effective after-service for customers in strict accordance with ISO9001 QUALITY MANAGEMENT SYSTEM. We will manufacture and test our products in accordance with the related standards and technical documents strictly. What's more, we shall offer the instruction, certification, test report and installation drawing. We will send specialized technical personnel to help with the installation and technology advisory. We will provide life-long service and assist the user for maintenance and repair of production.

We promise that we will give a reply less than 4 hours when we get requirement from the customers. If you need the on-site service in China, we promise to arrive on the scene in the range of Chongqing less than 24 hours and arrive on the scene out the range of Chongqing less than 48 hours. To the foreign area, we promise that we will try our best to arrive on the scene in the required time.

Our service target is that get the satisfaction from our customers; Our working direction is that offer a fast, exact and comprehensive service. We will be proud of the satisfaction from the users and we sincerely invite the customers to have a inspection to our company.

Warmly welcome the customers at home and abroad to give us precious suggestions. So that we could improve our products continuously. Let's create a brilliant future together.

远见成就未来 责任铸就价值

Foresight achieves the future
Responsibility creates the value

重庆博瑞变压器有限公司领导层高瞻远瞩、审时度势、大胆决策，引领企业不断超越与突破自我，实现跨越式发展！公司坚持“铸造卓越电气，建设美好生活”为愿景，面对未来，博瑞人将永远努力探索、不断创新、锐意进取、奋斗不息，为了建设更加美好的新生活、为了人类共同的福祉贡献自己的微薄之力。

The leaders in Chongqing BORUI Transformer Co., Ltd. lead BORUI to beyond itself, breakthrough itself and achieve a leapfrog development with their great foresight, sense of timing, and bold decision. BORUI insists the purpose which is "better electrical quality makes better life". In the face of future, BORUI will continue to explore, create and work hard for building a better society and convenient life.

