



Specifications:

Why use HAPAM disconnectors?

- * More than 75 years of experience
- * Durable and reliable design
- * Over 30 000 disconnectors and earthing switches are in service in more than 80 countries throughout the world
- * Virtually maintenance free

General

The pantograph disconnector consists of three poles. Each pole consists of one support insulator, one rotating insulator, the pantograph mechanism and a counter contact.

Insulators

The disconnectors can be equipped with insulators in accordance with IEC, ANSI or DIN specifications.

Pantograph mechanism

The pantograph mechanism is installed on the support insulator and transfers the movement of the rotating insulator to the arms of the pantograph disconnector. The mechanism is housed in an aluminium enclosure, protecting it against pollution and ice. The springs that compensate the weight of the pantograph arms are also installed in this housing.

Each pantograph is equipped with four aluminium arms to ensure a rigid construction with a very high short circuit rating. The main contacts are made of copper, with a silver plated surface. The counter contact is a horizontal copper bar, silver-plated, which has to be connected to the busbar system.

Earthing switch

HAPAM disconnectors may be equipped with earthing switches, which can be built-on to the pantograph disconnector. The earthing switch consists of an aluminium tube, provided with silver-plated contacts at both ends.

Drive mechanism

The disconnectors and/or earthing switches can be single-pole or three-pole operated by means of a motor-operated drive mechanism or a manual-operated drive mechanism.

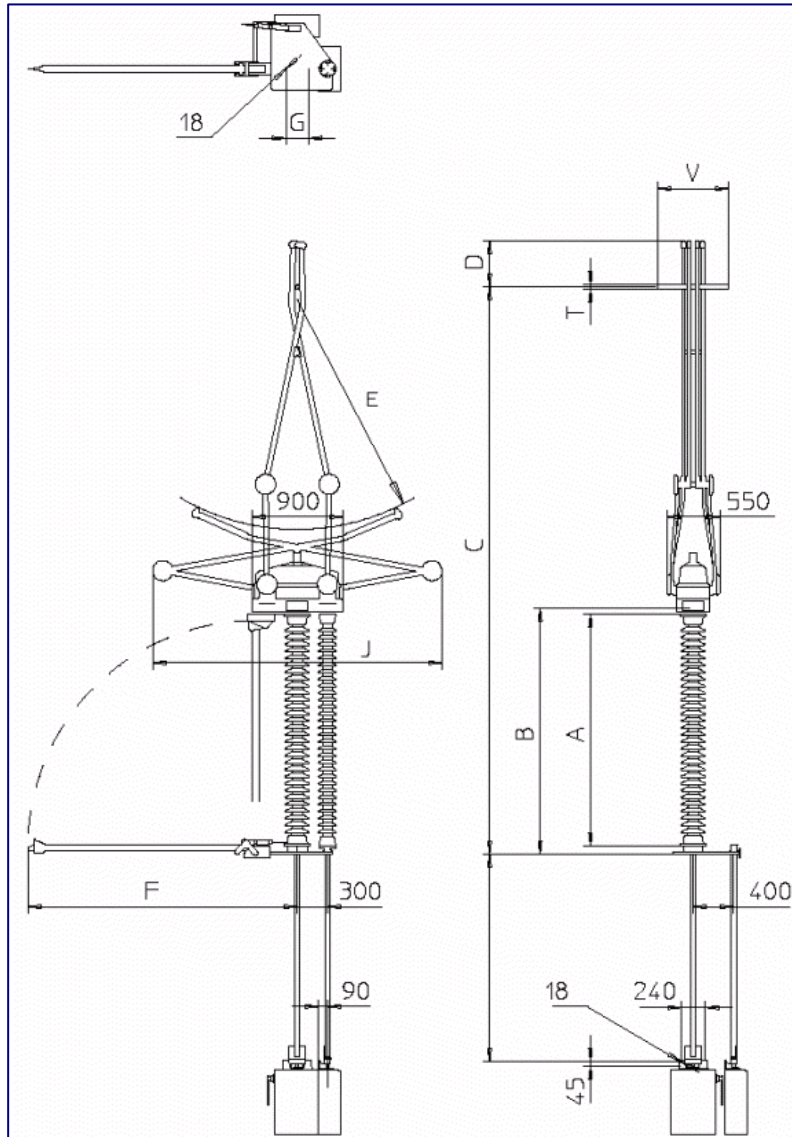
In case only one drive mechanism is used for three-pole operation, the poles are interconnected by means of adjustable coupling rods.

The drive mechanism also houses the auxiliary contacts for position indication.

Testing

The disconnectors and earthing switches are designed and tested in accordance with latest IEC specifications. HAPAM maintains a quality assurance system according to ISO 9001, certified by KEMA.

Drawing:



HAPAM BV

Voltaweg 30, 3752 LP Bunschoten
Postbus 133, 3750 GC Bunschoten
The Netherlands

Tel. +31 (0)33 2983004

Fax. +31 (0)33 2983204

E-mail: hapam@hapam.nl

www.hapam.nl